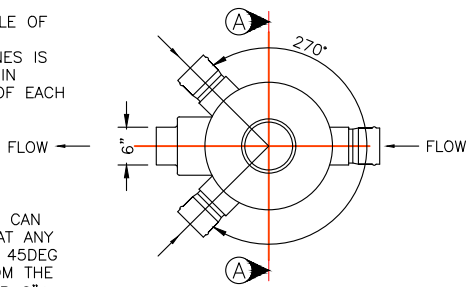


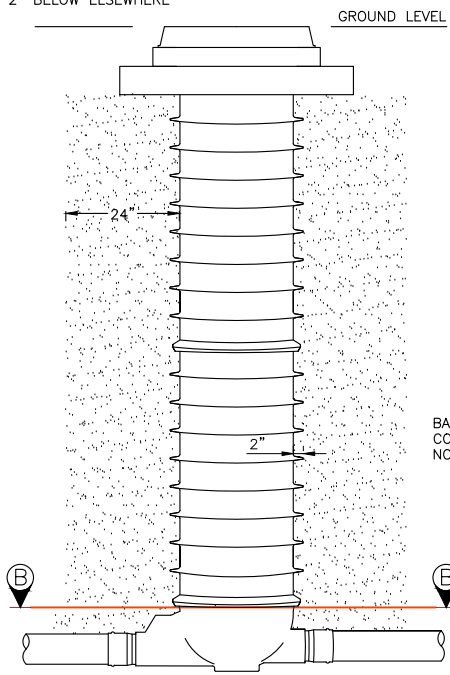
GRADE AND ANGLE OF UPSTREAM AND DOWNSTREAM LINES IS ACCOMMODATED IN CUSTOM BUILD OF EACH UNIT



UPSTREAM LINES CAN BE POSITIONED AT ANY ANGLE BETWEEN 45DEG & 315 DEG FROM THE DOWNSTREAM FOR 6"Ø LINES (SHOWN)

SECTION 'B-B'

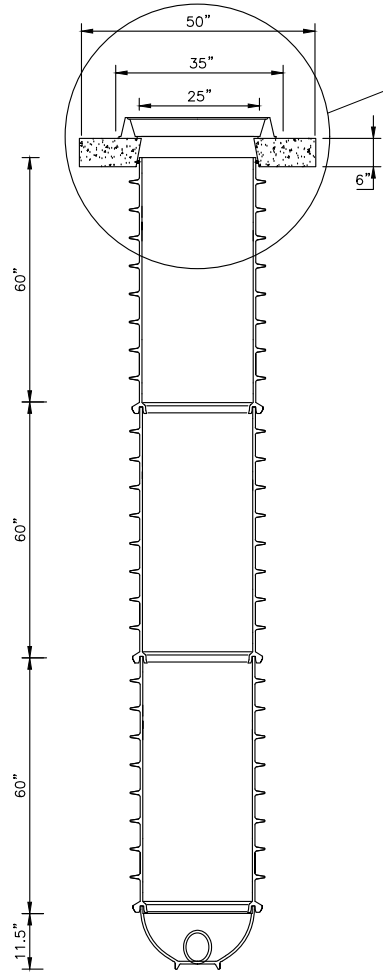
FLUSH FOR ESTABLISHED AREAS AND PAVEMENTS, 2" BELOW ELSEWHERE



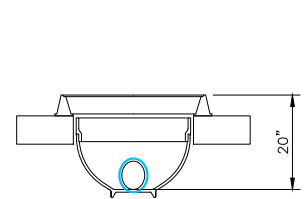
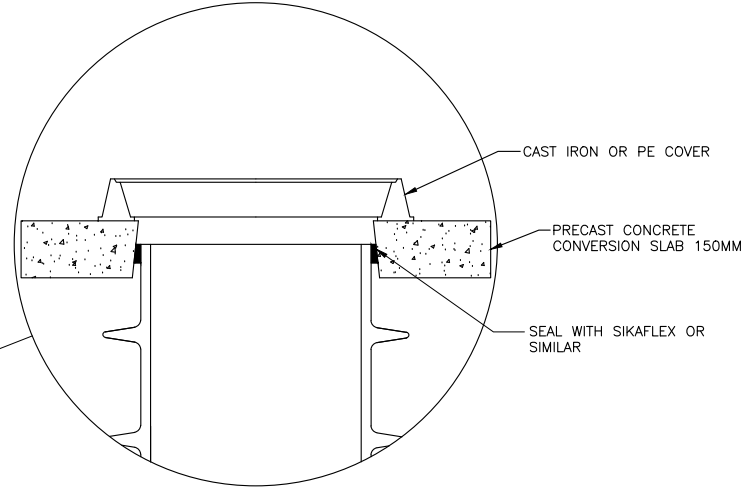
SIDE ELEVATION

BACKFILL AND COMPACTION SEE NOTES.

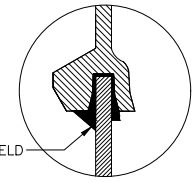
MAX DEPTH 25'



SECTION 'A'-A'



MINIMUM HEIGHT



LINER WELDED JOINT DETAIL

- GENERAL NOTES
1. ALL DIMENSIONS ARE IN INCHES U.O.N.
  2. CONCRETE SHALL BE GRADE N25.
  3. CONVERSION SLAB AND ADJUSTMENT SEGMENTS TO BE SUPPLIED SEPARATELY BY PREFERRED DISTRIBUTOR .
  4. CENTRE POINT OF ACCESS CHAMBER TO BE ON INTERSECTION POINT OF SEWERS.
  5. ONLY ACCESS CHAMBERS AND COMPONENTS APPROVED BY LOCAL AUTHORITY TO BE USED.
  6. THIS DRAWING IS AN EXAMPLE DRAWING. THE DETAILS OF SOME CHAMBERS MAY VARY FROM THOSE SHOW IN THE DRAWING.
  7. PE WELDING TO BE CARRIED OUT BY ACCREDITED PERSONNEL ONLY (REFER TO MANUFACTURER FOR DETAILS).
  8. BASE, LINERS AND REDUCER COMPONENTS ROTOMOULDLED FROM MDPE 0.59" WALL THICKNESS.
  9. ACCESS CHAMBERS SHALL BE INSTALLED IN ACCORDANCE WITH MANUFACTURERS INSTRUCTIONS.
  10. BACKFILL AND COMPACTION IN ACCORDANCE WITH LOCAL AUTHORITY GUIDELINES FOR DN150-DN600 GRAVITY SEWERS

D	09.18.23	UPDATED TO CURRENT DESIGN AND STANDARD (STANDARD)	MAS	DR
C	31.07.18	UPDATED TO CURRENT STANDARDS	SF	WC
B	04.04.18	REVISED VIEW 'SECTION B-B'. MAX DEPTH UPDATED.	SF	BK
ISSUE	DATE	REVISION	DRN	CHKD

**QUICKSTREAM SOLUTIONS**  
*This drawing is the property of SmartStream Technology and shall not be copied without permission.*

DO NOT SCALE FROM DRAWING  
  
 SCALE: DIAGRAMMATIC

DRAWN BY: GK      DATE: 19.10.20  
 CHECKED BY: --      DATE: 19.10.20  
 ALL DIMENSIONS ARE IN INCHES

**24" MINI ACCESS CHAMBER**  
**GENERAL INSTALLATION - TRAFFICABLE**  
 DRAWING REF: SST-00056    SHEET: 1 OF 1    ISSUE: D

ORIGINAL SHEET SIZE  
**A3**