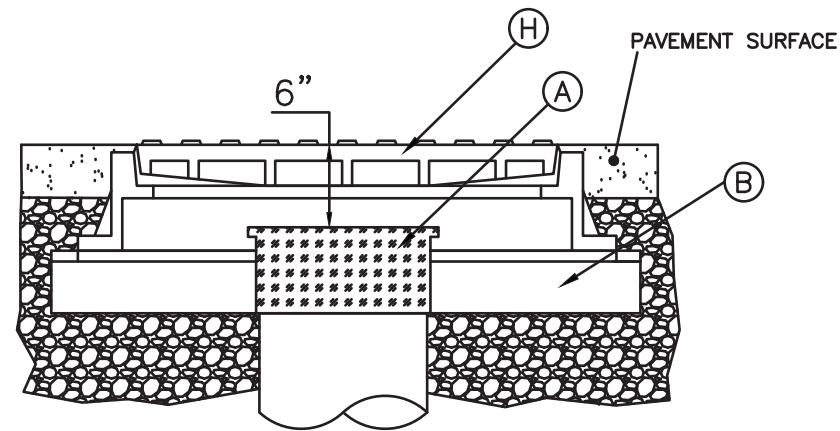


COMPONENTS

ITEM	DESCRIPTION	MATERIAL
A	VERTICAL GASKETED LOCKING RISER CAP	PVC
B	8" CONCRETE RISER	PRECAST
C	Ø12" PVC RISER SHAFT	PVC
D	PVC SPIGOT	PVC
E	24" MAINTENANCE SHAFT BODY	POLYETHYLENE
F	PVC COUPLING	PVC
G	6"-12" PVC TEE	PVC
H	MH FRAME & COVER	CAST IRON

GENERAL NOTES

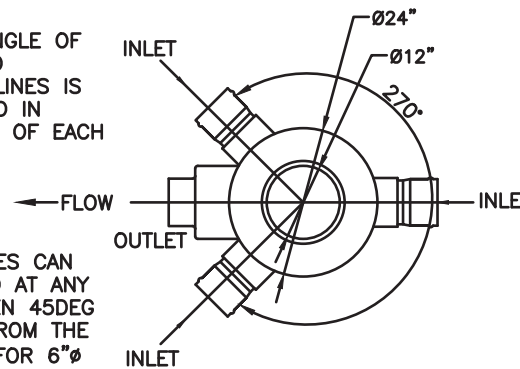
1. ALL DIMENSIONS IN INCHES
2. MAINTENANCE SHAFTS CAN ACCOMMODATE MOST CONNECTION TYPES FOR 4" - 12" PIPE, REFER TO MANUFACTURER FOR DETAILS.
3. BACKFILL AND COMPACTION IN ACCORDANCE WITH LOCAL AUTHORITY INSTRUCTIONS FOR GRAVITY SEWERS
4. CONTRACTOR TO SUPPLY PIPE FROM MAINTENANCE SHAFT TO VERTICAL RISER CAP.
5. CLEARANCE BETWEEN THE VERTICAL RISER CAP AND THE UNDERNEATH OF THE COVER SHOULD BE 6"
6. DROPS UP TO 17.32" WITHIN BODY AVAILABLE



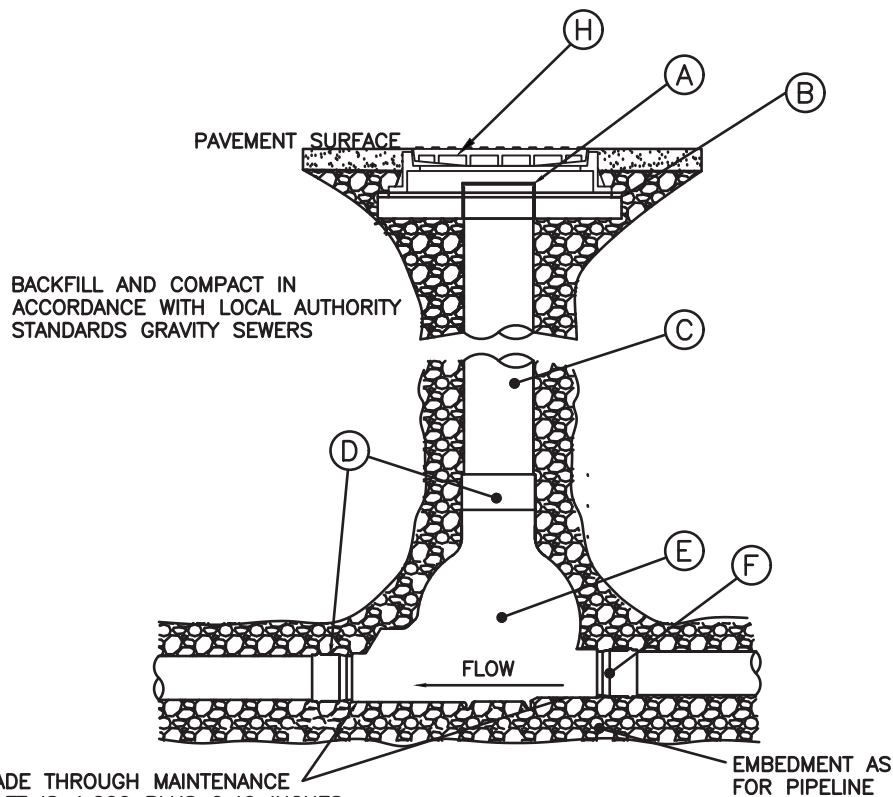
ENHANCED VIEW OF GRADE SIDE PROFILE

GRADE AND ANGLE OF UPSTREAM AND DOWNSTREAM LINES IS ACCOMMODATED IN CUSTOM BUILD OF EACH UNIT

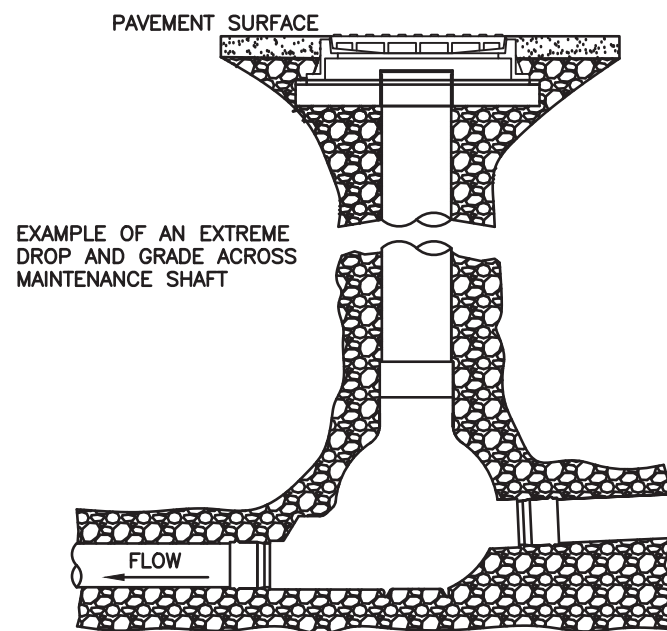
UPSTREAM LINES CAN BE POSITIONED AT ANY ANGLE BETWEEN 45DEG & 315 DEG FROM THE DOWNSTREAM FOR 6"Ø LINES (SHOWN), AND BETWEEN 65DEG & 295DEG FOR 12"Ø LINES



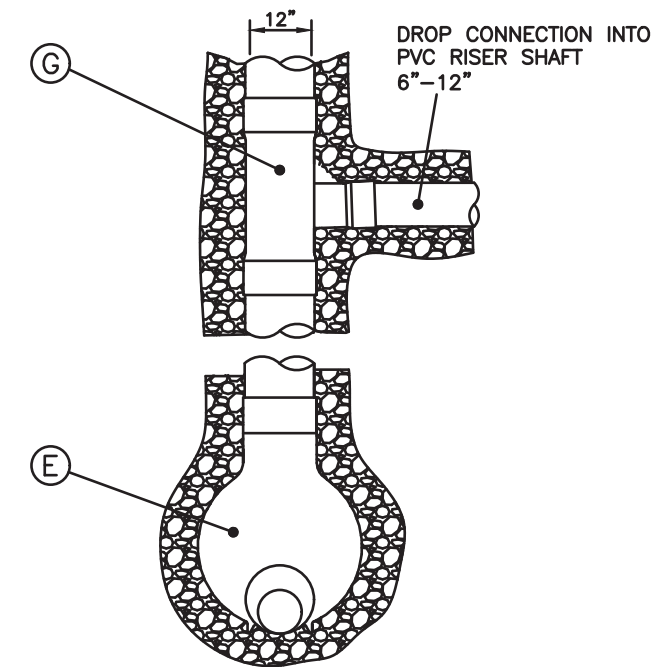
PLAN VIEW (SHOWS RANGE OF UPSTREAM ANGLE)



SIDE ELEVATION



SIDE ELEVATION



EXAMPLE OF DROP JUNCTION INTO RISER SHAFT

ISSUE	DATE	REVISION	DRN	CHKD	QUICKSTREAM SOLUTIONS INC.	DO NOT SCALE FROM DRAWING	DRAWN BY: MAS	DATE: 8.7.20	TYPE 8 MAINTENANCE SHAFT (POO-PIT) GENERAL INSTALLATION		ORIGINAL SHEET SIZE
							CHECKED BY: MAS	DATE: 8.7.20	DRAWING REF: SST-00006-A	SHEET: 1 OF 1	ISSUE: A
<small>This drawing is the property of QuickStream Solutions Inc and shall not be copied or altered with permission</small>						SCALE: DIAGRAMMATIC	ALL DIMENSIONS ARE IN INCHES				A3